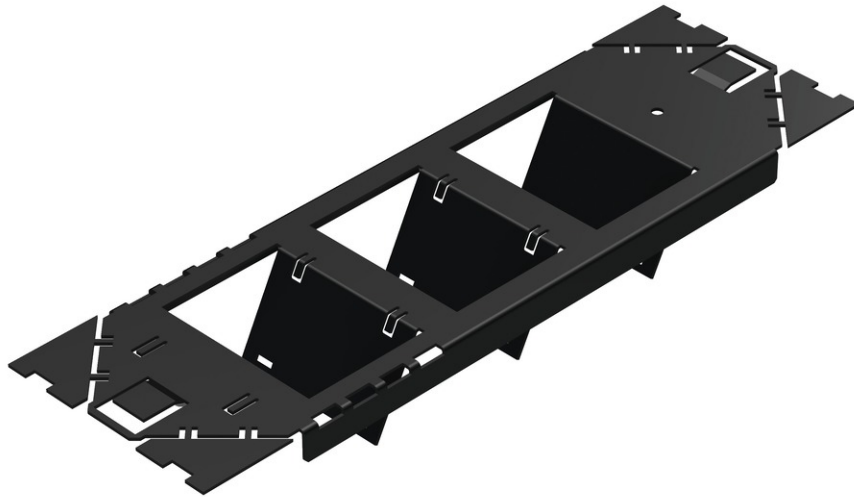


tBL<sup>®</sup> - Floor box frame for Adapter plates for 9x RJ45 Keystone modules for Electraplan GB3



## tBL<sup>®</sup> - tde Basic Link (TP)

tBL<sup>®</sup> tde Basic Link (TP) is a complete system solution for structured cabling in Cat6A for transfer rates of up to 10GbE in real time. The tBL<sup>®</sup> - cabling link corresponds to a permanent link in accordance with ISO / IEC 11801 (EN 50173). The RJ45 modules are available in the form factors Keystone (KS) and Data Center (DC). The compact design of the 6fold RJ45 DC module allows a high packing density of up to 48 RJ45 ports on 1U. The RJ45 module is connected to the tBL<sup>®</sup> - cable termination block by simply plugging. The slim cable termination block can be easily assembled on the cable by using the tBL<sup>®</sup> - crimp tool and is suitable for preterminated cables. The modular design of individual RJ45 modules are interchangeable at any time without termination. The RJ45 modules are optional with a LID - Light ID function available. This feature facilitates searching of related ports within a cable link. A cost effective alternative product is the RJ45 keystone module without cable termination block in the tool-less design.

The system solution is complemented by an extensive portfolio of carrier systems. These include design-capable data outlets, floor box frames, Consolidation points, DIN rail modules and patch panels in 1/2 and 1U.

tBL<sup>®</sup> - Floor box frame is intended for the integration of up to six Keystone



**tde<sup>®</sup> trans data elektronik GmbH**

**Headquarter address:**

Lingener Str. 2  
D-49626 Bippen/Ohrte  
Tel.: +49 5435 9511 0  
Fax.: +49 5435 9511 32

**Sales office address:**

Prinz-Friedrich-Karl-Str. 46  
D-44135 Dortmund  
Tel.: +49 231 914 36 99  
Fax.: +49 231 914 31 29

info@tde.de | www.tde.de

## tBL<sup>®</sup> - Floor box frame for Adapter plates for 9x RJ45 Keystone modules for Electraplan GB3

modules into a Electraplan GB3 Floor Box.

### Technical Data

Mounting	up to three adapter plates (TBL-BO-AD-RJ45KS) for up to 9x RJ45 Keystone modules
Material	galvanized steel sheet
Colour	black (RAL 9005)
Inscription	Label strip self adhesive for free port inscription
Grounding	Grounding screw
	QS-Managementsystem ISO 9001, ISO 14001 and TL 9000

### Product variants & accessories

Art.-No.	Description
TBL-BO-AD-RJ45KS	tBL <sup>®</sup> - Adapter plate for 3x RJ45 Keystone modules for floor box frame Electraplan
TBL-BO-RJ45KS-GB2-L	tBL <sup>®</sup> - Floor box frame for Adapter plates for 6x RJ45 Keystone modules for Electraplan GB2 left
TBL-BO-RJ45KS-GB2-R	tBL <sup>®</sup> - Floor box frame for Adapter plates for 6x RJ45 Keystone modules for Electraplan GB2 right
TBL-BO-RJ45KS-GB3	tBL <sup>®</sup> - Floor box frame for Adapter plates for 9x RJ45 Keystone modules for Electraplan GB3
TBL-RJ45KS	tBL <sup>®</sup> - RJ45 Keystone Module Cat.6 <sub>A</sub> ISO/IEC w/o termination block
TBL-RJ45KS/KT22	tBL <sup>®</sup> - RJ45 Keystone Module Cat.6 <sub>A</sub> ISO/IEC, termination block AWG 22-24
TBL-RJ45KS/KT26	tBL <sup>®</sup> - RJ45 Keystone Module Cat.6 <sub>A</sub> ISO/IEC incl. termination block AWG 26-27
TBL-RJ45KSL	tBL <sup>®</sup> - RJ45 Keystone Module Cat.6 <sub>A</sub> ISO/IEC with LID w/o termination block
TBL-RJ45KSL/KT22	tBL <sup>®</sup> - RJ45 Keystone Module Cat.6 <sub>A</sub> ISO/IEC with LID, termination block AWG 22-24
TBL-RJ45KSL/KT26	tBL <sup>®</sup> - RJ45 Keystone Module Cat.6 <sub>A</sub> ISO/IEC with LID, termination block AWG 26-27
TBL-RJ45KS-TL	tBL <sup>®</sup> - RJ45 Keystone Module Cat.6 <sub>A</sub> ISO/IEC tool-less, AWG 22-24