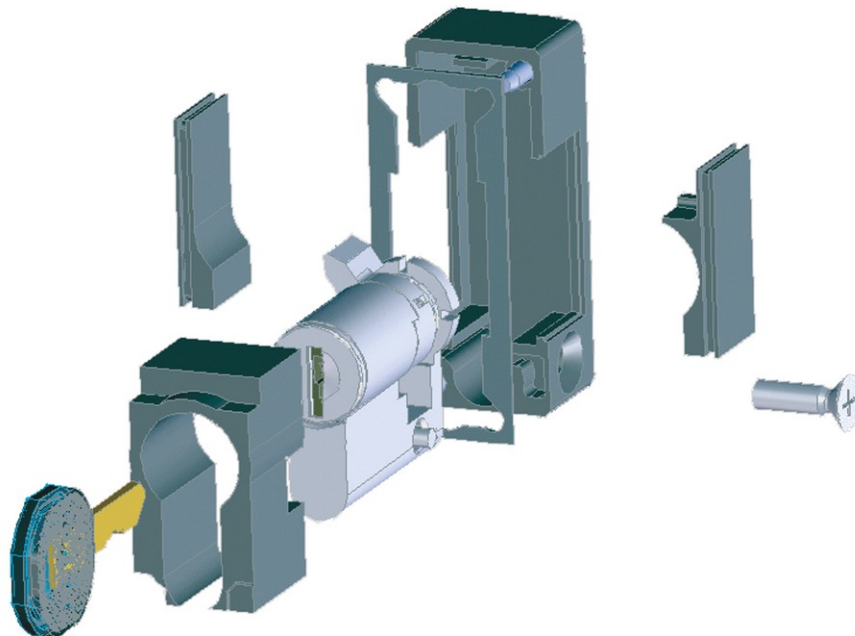


tDF<sup>®</sup> - Profile half cylinder incl. key for tDF<sup>®</sup> Rack System 19"/46U



## tDF<sup>®</sup> - tde Distribution Frame (ODF)

tDF<sup>®</sup> is a modular Central Office solution with the highest packing density. At 46U, up to 4032 fibers can be terminated with LC. In developing the tde has taken primarily attention on the user-friendly installation. So the patented modules are fully be fitted from the front. A 19-inch sub rack occupies three height units and is equipped with twelve splice modules. Per sub rack, up to 288 fibers can be terminated with LC. The splices will be stored in standard splice cassettes. A unique feature of the splice module is the built-in loose tube over length management, which compared to conventional solutions saves an additional rack unit for the over length tray. The trunk cables are brought to the sub rack side and splitted there. This results in very short stripping lengths for the trunk cables. Due to the tML<sup>®</sup> compatibility also MPO/MTP<sup>®</sup> modules can be equipped in the same sub rack. The modular design of the tDF rack system offers maximum flexibility. The racks can be ordered customized completely preconfigured.



**tde<sup>®</sup> trans data elektronik GmbH**

**Headquarter address:**

Lingener Str. 2  
D-49626 Bippen/Ohrte  
Tel.: +49 5435 9511 0  
Fax.: +49 5435 9511 32

**Sales office address:**

Prinz-Friedrich-Karl-Str. 46  
D-44135 Dortmund  
Tel.: +49 231 914 36 99  
Fax.: +49 231 914 31 29

info@tde.de | www.tde.de

tDF<sup>®</sup> - Profile half cylinder incl. key for tDF<sup>®</sup> Rack System 19"/46U

## Technical Data

Type	profile half cylinder with closure EK333 for swivelling lever handle of the door incl. key
------	--

## Product variants & accessories

Art.-No.	Description
TDF-19/46HE	tDF <sup>®</sup> - Rack System 19"/46U, dismountable, grey
TDF-19/46HE-AD-SET	tDF <sup>®</sup> - Connector set for tDF <sup>®</sup> Rack System 19"/46U
TDF-19/46HE-BACK	tDF <sup>®</sup> - Rear cover for tDF <sup>®</sup> Rack System 19"/46U
TDF-19/46HE-BASE	tDF <sup>®</sup> - Base, multiple parts for tDF <sup>®</sup> Rack System 19"/46U
TDF-19/46HE-BEND	tDF <sup>®</sup> - 5 x radii limiter for tDF <sup>®</sup> Rack System 19"/46U
TDF-19/46HE-BEND-CO	tDF <sup>®</sup> - 10 x radii limiter cover for tDF <sup>®</sup> Rack System 19"/46U
TDF-19/46HE-DOOR	tDF <sup>®</sup> - Door for tDF <sup>®</sup> Rack System 19"/46U
TDF-19/46HE-PHZ	tDF <sup>®</sup> - Profile half cylinder incl. key for tDF <sup>®</sup> Rack System 19"/46U
TDF-19/46HE-ROOF	tDF <sup>®</sup> - Roof closed for tDF <sup>®</sup> Rack System 19"/46U
TDF-19/46HE-SIDE	tDF <sup>®</sup> - Side cover for tDF <sup>®</sup> Rack System 19"/46U
TDF-19/46HE-TABLE	tDF <sup>®</sup> - Splice table for tDF <sup>®</sup> Rack System 19"/46U
TDF-19/46HE-WALL-SET	tDF <sup>®</sup> - Wall mounting set for tDF <sup>®</sup> Rack System 19"/46U